

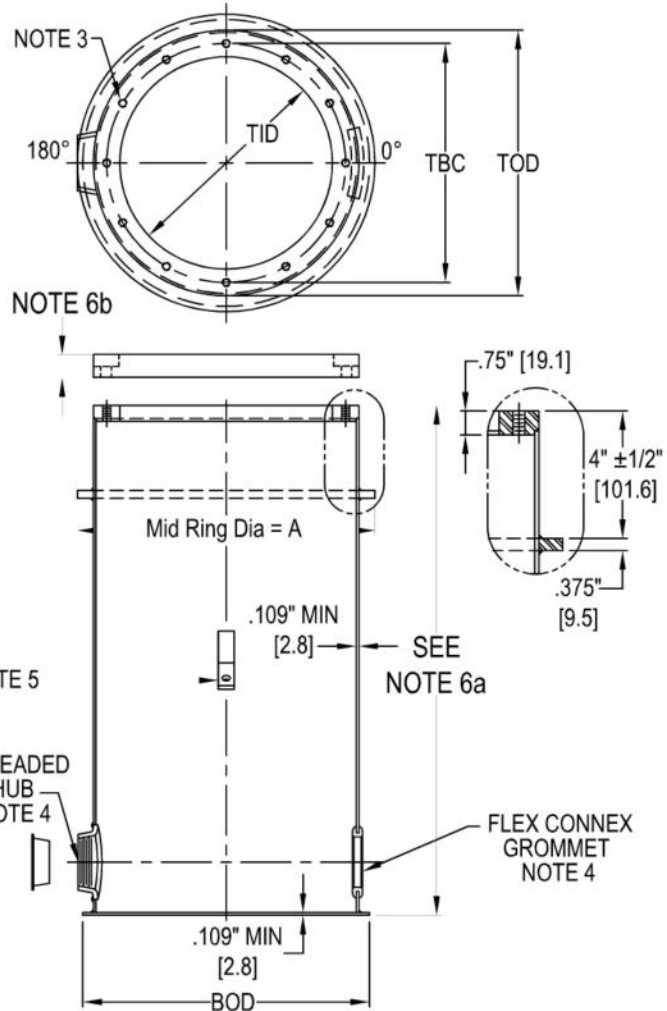
# JAQUITH INDUSTRIES, INC.

Distributed by Manairco Inc.



L-868 Class 1A Light Base

## L-868 Class 1A Light Base



1. Approved and Certified to FAA Advisory Circular AC150/5345-42F L868 class 1A  
Size: A=8", B=12", C=15"

2. Base galvanized to ASTM-A123/A123M-02

3. Size A  
(4) 3/8"-16 at 30°, 60°, 120°, 150°, 210°, 240°, 300°, & 330°  
Size B, C  
(12) 3/8"-16 equally spaced, tapped holes are located over conduit openings

4. Conduit Openings (minimum 2) are:  
Located 180° apart 2.5" up from bottom  
Various sizes and locations are available  
Protective plug installed in threaded hubs  
Flex Connex Grommets are shipped separately

5. Internal / External Ground Straps are standard.  
Copper Lug AW0919 available

6a. Standard Height 24"

6b. L-868 Plywood Cover 3/4" or 5/8" with mud plate

Other Heights/Thicknesses available

7. For Light Bases 10" or less, see p. D-06f

	TYPE	BOD	TOD	TBC	TID	A
<b>AC08</b>	8" L868A	9"	8.5"	7.25"	6.5"	10"
<b>AC24</b>	12" L868B	Min. 13"	12.5"	11.25"	10"	14"
<b>AC35</b>	15" L868C	16"	15.5"	14.25"	13"	17"

[ ] = dimensions in metrics; mm

**D-01f (rev 1)**